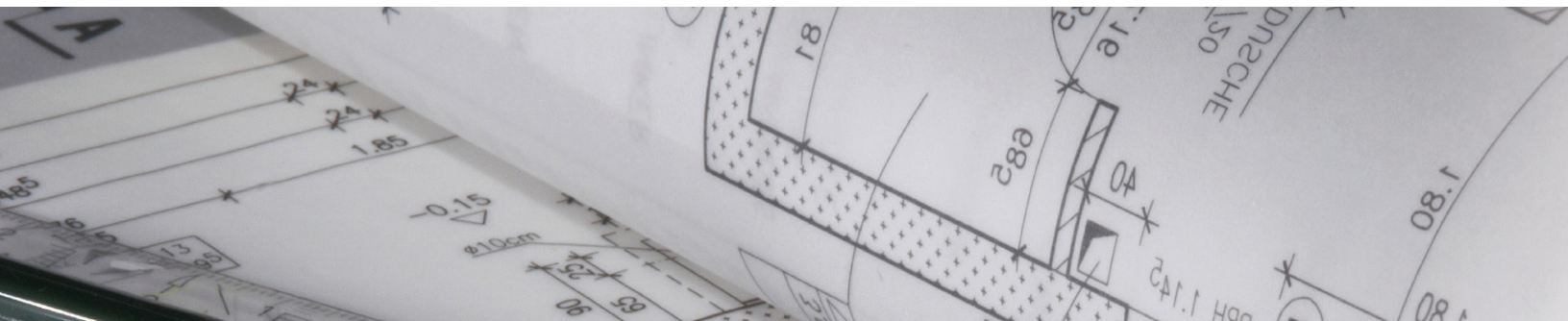




Pentalift fork truck maintenance lift

Increases safety, efficiency and comfort during fork truck maintenance.



Engineered for Safety

Pentalift fork truck maintenance lift

Model: 6FTML6012020

Capacity: 20,000 Ib

Features:

- Increase safety and productivity during fork truck maintenance
- Allows free access to all service areas
- No mounting pit required
- Eliminates chain falls and blocking
- 20,000 Ib. capacity
- Safety ratchet and pawl system assures load holding with safe redundancy

Push Button Control:

2 Button, NEMA 4X, on 10 ft. of straight cord.



Power Unit:

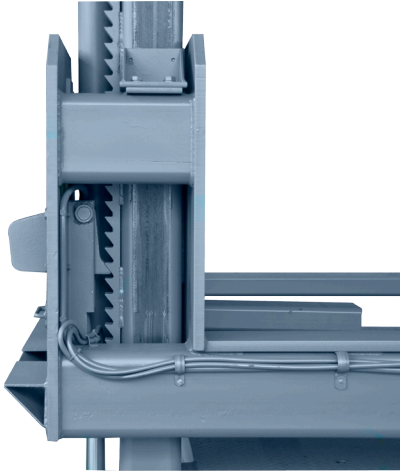
Installed on lift. Prewired with all required controls. Control voltage is 24 volts. Panel is rated NEMA 12. Supply volatage are 230-460/3/60 TEFC, 3hp or 575/3/60 TEFC, 3hp (by optional transformer).

Installation:

Stationary, unit is surface mounted with an approach ramp for easy fork truck entry. To maintain superior stability and maximum safety, the fork truck maintenance lift must be securely lagged to the floor.

Pentalift fork truck maintenance lift design features

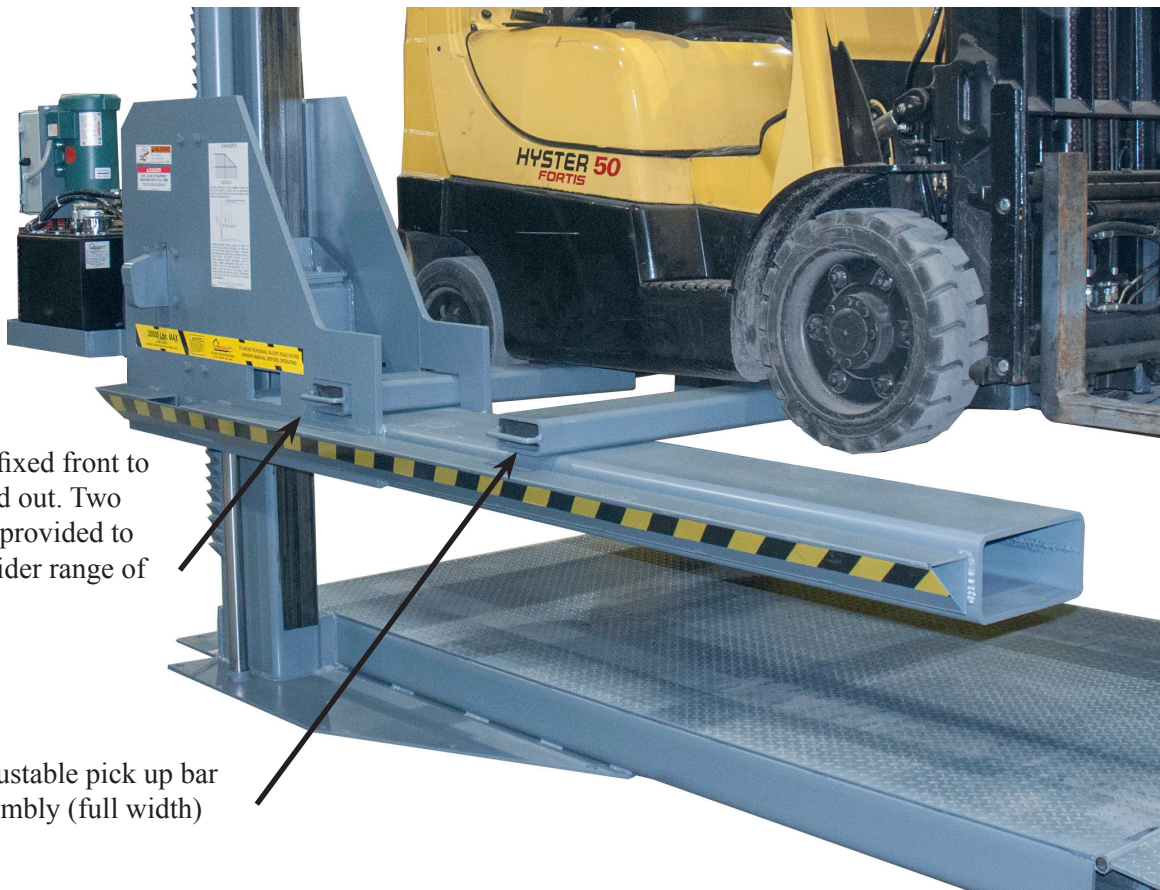
The reliable hydraulic system raises and lowers the fork truck maintenance lift to the desired position. To further facilitate safety, a ratchet and pawl mechanism is utilized to mechanically lock the lift in the desired work position. This dual "redundant" holding system provides the safest possible lift holding arrangement. This safety system is shown in more detail below.



The heavy ratchet and pawl work in conjunction with the hydraulic system to facilitate a dual "redundant" holding system.



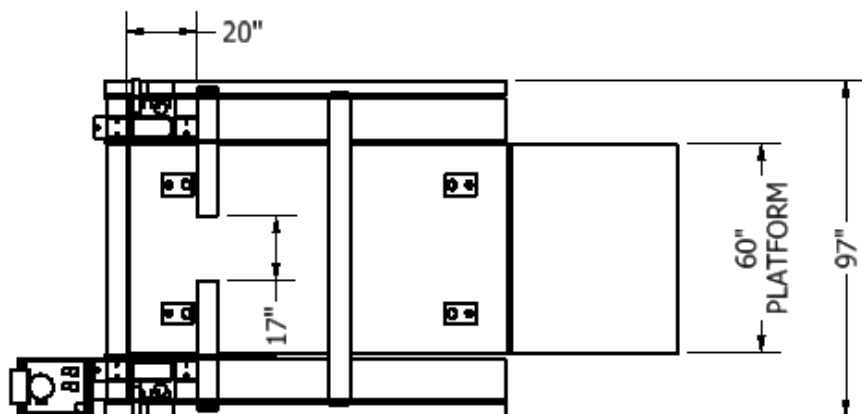
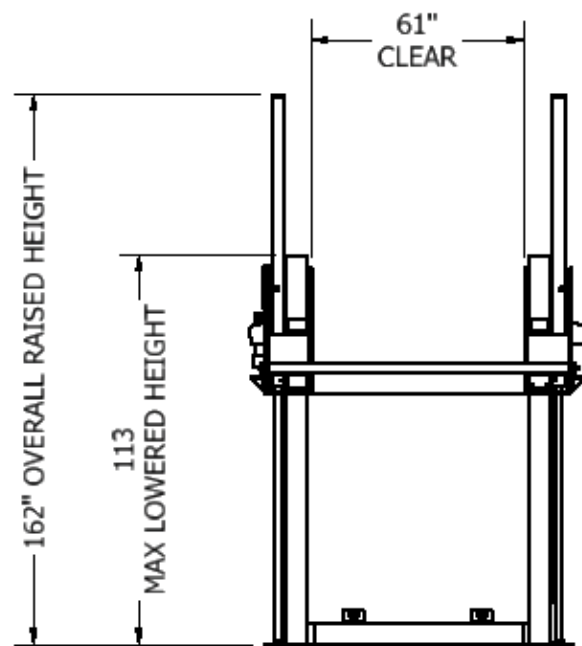
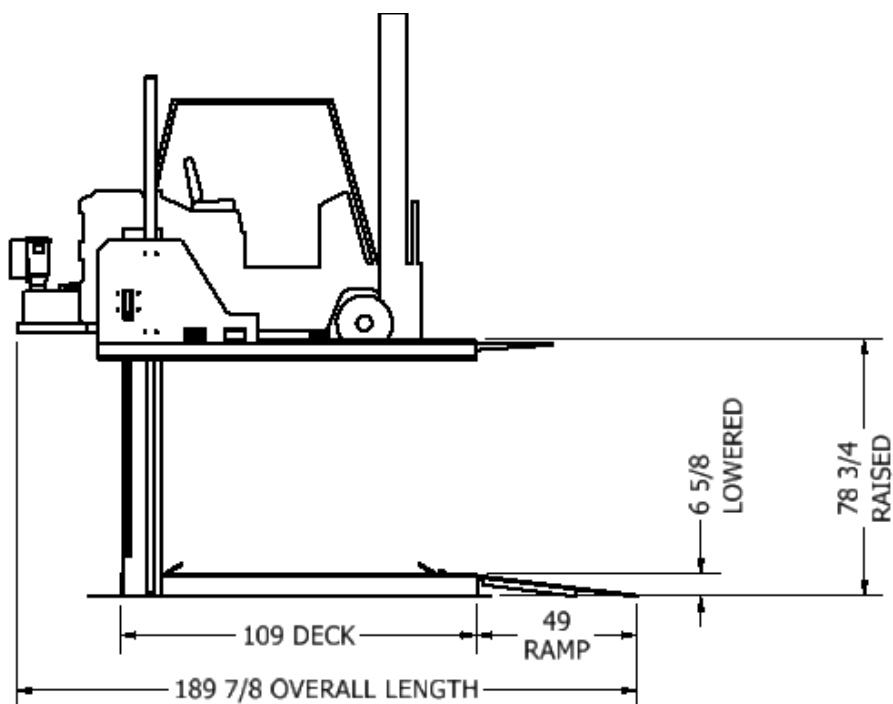
The color coded pawl indicates when the pawl system is engaged and it is okay to go under the fork truck maintenance lift. When red is visible on the locking pawl, do not go under the lift.



Rear pick up bar (fixed front to back), slides in and out. Two support holes are provided to accommodate a wider range of lift trucks.

Adjustable pick up bar assembly (full width)

Pentalift fork truck maintenance lift dimensions



Notes:

- Lift is suitable for 4 wheel fork trucks only. Request approval drawing from your Pentalift representative to carefully confirm the fork truck maintenance lift will appropriately support the specific fork lifts that are intended to be lifted.
- For shipping purposes the lift is 113 inches high in closed position.
- Drawings and dimension are for concept purposes only.

"Our Primary Goal is to engineer and build the best products to ensure the ultimate in user safety and product reliability"

Paul Pedersen

President

Pentalift Equipment Corporation

Pentalift also manufactures a complete line of Lift Tables for your in plant material handling needs. Individual Product Catalogs are available and can also be found on our website.

Note: Some photos may reflect products with optional features. All Pentalift Equipment Corporation products are subject to design improvement through modification without notice.

Pentalift Equipment Corporation
 P.O. Box 1060, Guelph, ON N1H 6N1 Canada P.O. Box 1510, Buffalo, NY 14240 – 1510 USA
 Phone: (519) 763 3625 Fax: (519) 763 2894

www.pentalift.com

Product Bulletin 0417L048
 Printed in Canada